



STP
STP COMBI
V140 - V190 - V210



Mulch transplanter
Combi
Mulch layer



STP STP COMBI V140 V190 - V 210



> Innovation and simplicity for greater efficiency

STP is the new semi-automatic transplanter Sfoggia suitable for an efficient and at the same time performing transplant on plastic and bare soil.

It is applied to transplant truncated-conical, truncated-pyramidal or cubic peat clod seedlings.

STP responds to the concepts of agriculture 4.0. STP Combi is the new combined transplanter with mulch layer, available in different types and configurations for fast and versatile processing.

V140 - V190 - V210 are the models of the mulcher SFOGGIA to work on flat soil or beds. Rich in accessories, easy to use, it satisfies the most demanding farmer.

SFOGGIA 
AGRICULTURE DIVISION

STP

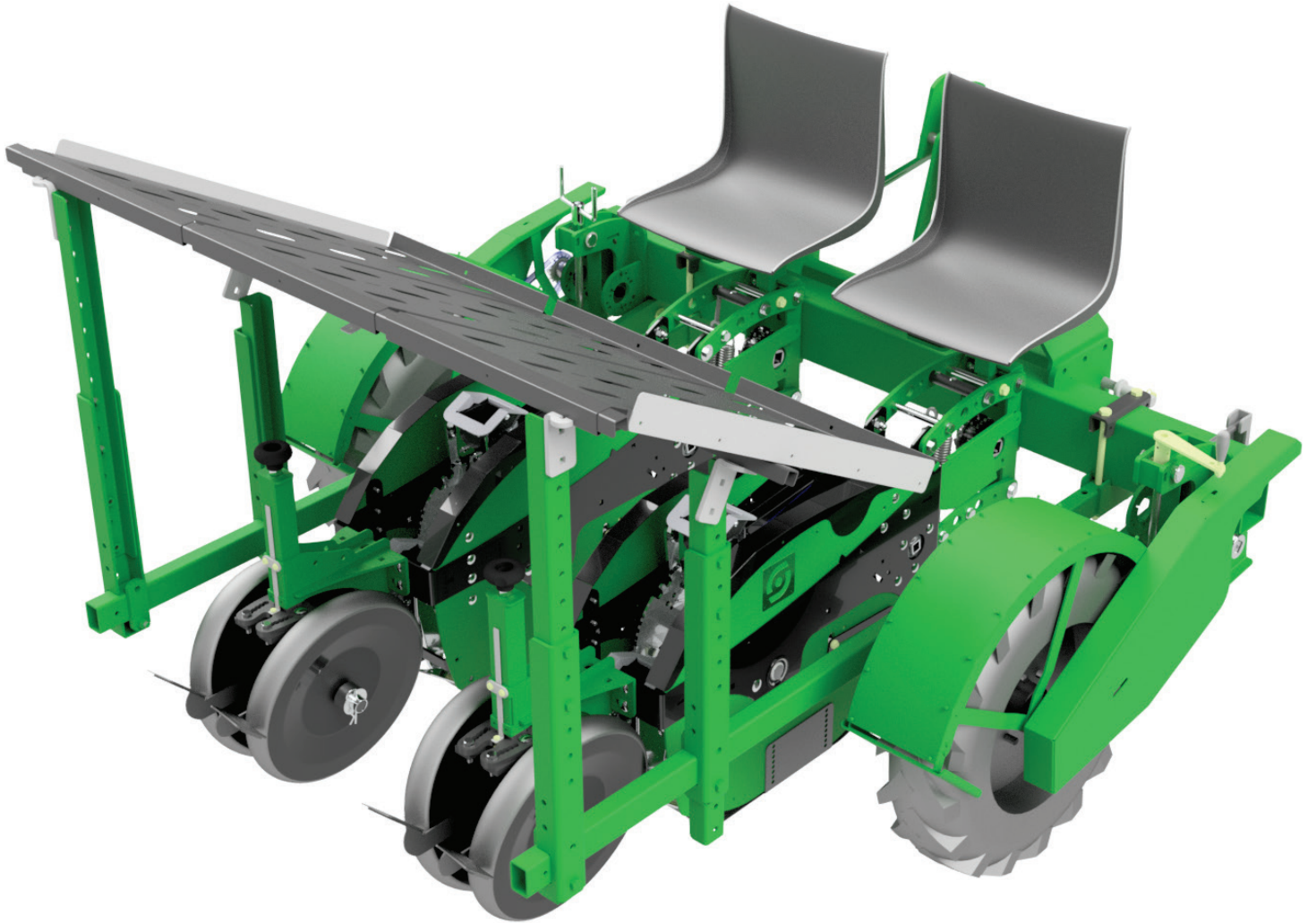




STP

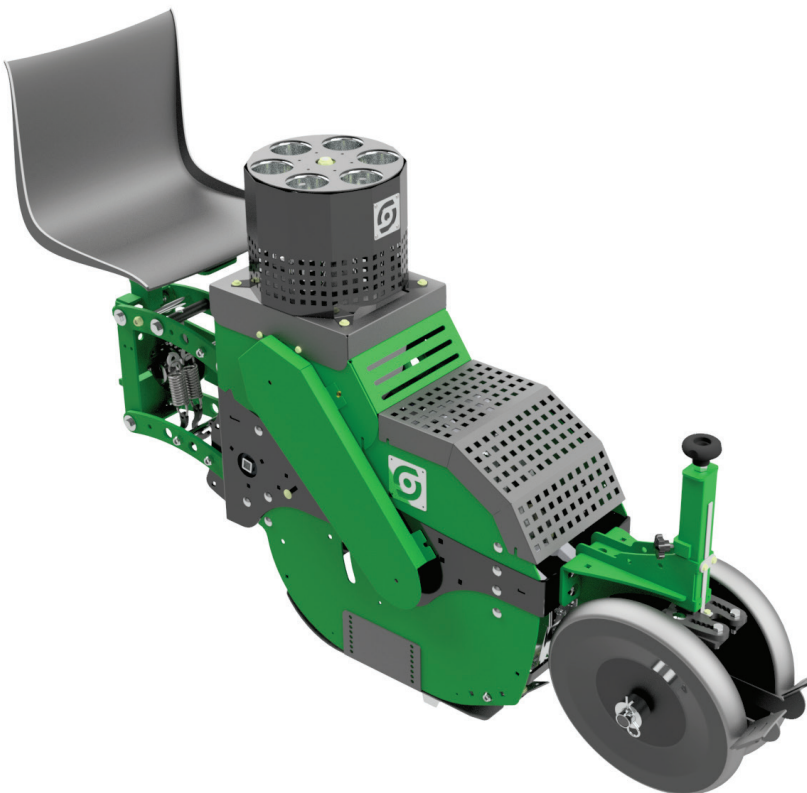
STP is a semi-automatic transplanter for young plants with turfs, suitable for planting on bare soil and on mulched soil with plastic or paper.

The planting process through the plastic or paper happens with the descent and perforation of the film and penetration in the soil of the transplanter's aluminium cups; the plants are released in the soil and the rear rubber compression wheels press them. 4 types of cups can be chosen according to the size of the cubes and are interchangeable as needed. The transplant distance on the row is given by the number of cups present, maximum 6 cups while minimum is 1 cup with phaser from 18 to 190 cm (see chart).





> Transplant element



STP element with facilitating carousel

STANDARD

- Front parallelogram with loading / unloading spring.
- Steel perforating cups on ball bearings with the possibility of adapter for cube.
- Compression wheels 410x60 mm and 410x80 mm adjustable in height, width, camber and divergence.
- Carousel plant holder.
- PVC seat or bench.
- Quiquingue transplant device.
- Watering device on the plant.
- Drip watering device.

OPTIONAL on request

- Cups with possibility of delayed closure for tall plants.
- Nylon press skid.
- Carroussel 6 cups.
- Vario gear box with handle.
- Front furrow opener disc.
- Front plugshare.
- Rubber seat.
- Plant tray carrier 1 or 2 racks.
- Plant tower.
- Hydraulic element pressure adjustment.
- Different types of compression wheels.
- Water device.
- Water tank 200 L or 300 L.
- Suitable for Agriculture 4.0.

> STP accessories on request



Tower plant holder, fixed on frame



Plant tray carrier, 2 racks on frame



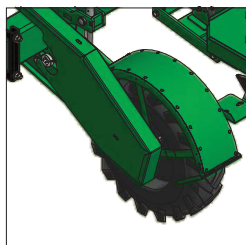
Additional plant carousel



Roof



Front wheels 23x8,50



Big tractor wheels



Mechanic row marker with disc



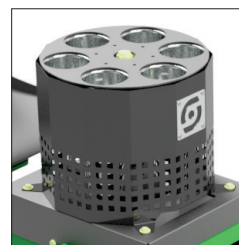
Hydraulic row marker for fixed frame



Front plugshare



Front opening disc



6 cups facilitating carousel, min. 35cm inter-row



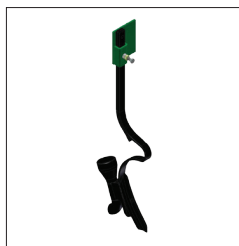
Gear lever group



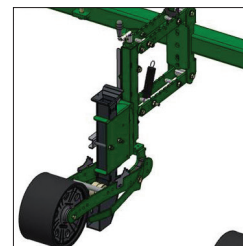
Single drip irrigation hose layer



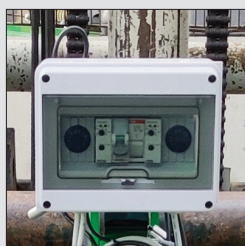
Rubber seat



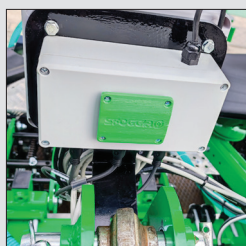
Coulter for under soil drip irrigation hose layer



Under soil drip irrigation hose layer on parallelogram



Electronic controlled irrigation system with solenoid valve



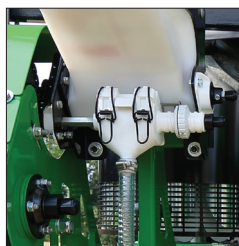
Front water tank, 200/300 L, on tractor or transplanter



Microgranulator in Pvc, 18 L with 1 exit/volumetric distributor or 32 L with 2 exits/volumetric distributors. Electric transmission or Isobus.



Stainless steel fertilizer spreader, 130/160 L. 1 to 4 rows with volumetric distributors, flex springs coulter or disc. Electric transmission or Isobus.



Rear mechanic micro.

> **STP**
WATERING SYSTEM AND WATER TANK

Two-row STP with 200 L or 300 L water barrel and electronically controlled irrigation system with solenoid valve, distribution on the plant in adjustable quantity



BOWL TYPES

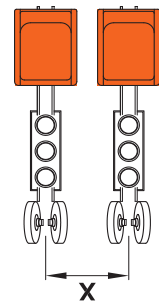
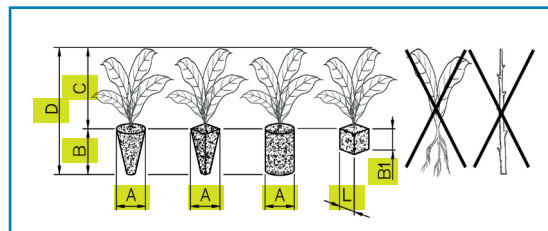
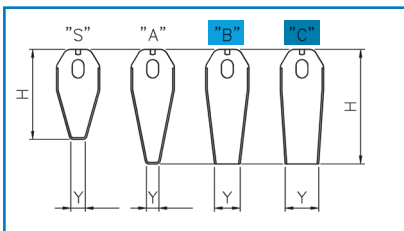


CHART SUGGESTING BOWL TYPES ACCORDING TO SEEDLING DIMENSIONS

	Standard cup type "S"	Cup type "A"	Cup type "B"	Cup type "C"
H (cm)	20	24	24	24
Y (cm)	2,0	1,7	6,0	8,5
Max transplant depth cm	7,0	10,0	7,0	7,0
Max cups number each unit	6	5	5	5

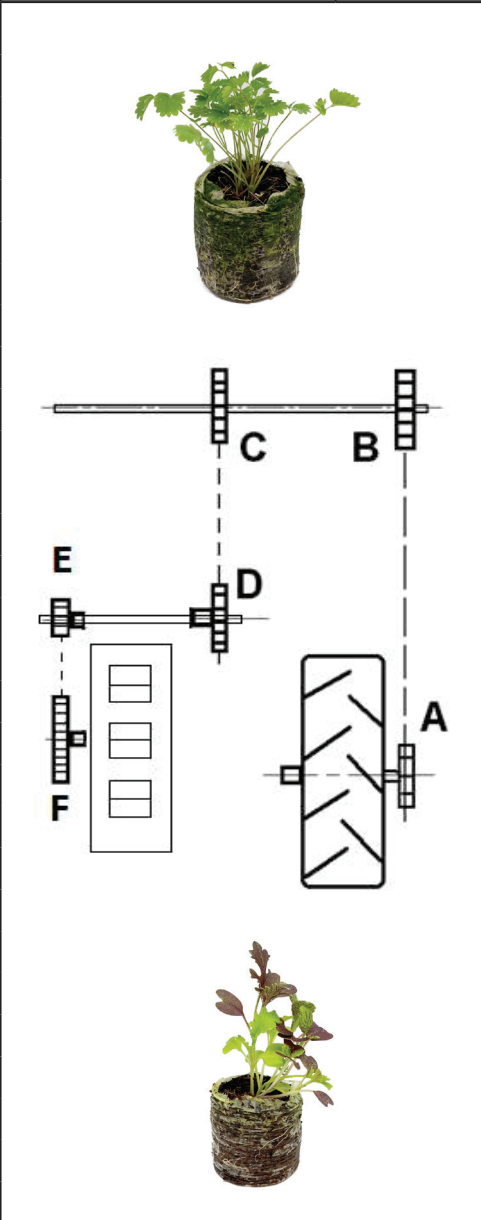
Min. "X" row distance in cm	30 cm
Min. "X" row distance in cm with facilitator	35 cm

Min ÷ Max (cm)				
A	1,5 ÷ 4,0	1,5 ÷ 4,0	3,0 ÷ 5,0	4,0 ÷ 7,0
B	4,0 ÷ 6,0	4,0 ÷ 7,0	4,0 ÷ 7,0	4,0 ÷ 7,0
C	4,0 ÷ 15,0	4,0 ÷ 15,0	4,0 ÷ 15,0	4,0 ÷ 15,0
D	8,0 ÷ 20,0	8,0 ÷ 20,0	8,0 ÷ 20,0	8,0 ÷ 20,0
L	2,0 ÷ 3,0	2,0 ÷ 3,0	3,5 ÷ 4,5	5,0 ÷ 6,0
B1	3,0 ÷ 4,0	3,0 ÷ 4,0	3,0 ÷ 5,0	4,0 ÷ 6,0

STP finds its application in the transplantation of seedlings with cylindrical, conical or truncated-conical, pyramidal, cubic, calibrated potatoes, large seeds, such as bean, green bean, pumpkin, zucchini etc., on mulched and / or bare soil. You can transplant seedlings of: salad, radicchio, tomato, cabbage, lettuce, as well as small trees or cuttings.

> Technical features

TRANSPLANT DISTANCES CHART

STP		N. CUPS	SPROKET TEETH						PLANTING DISTANCE	
TRACTOR WHEEL DIAMETER	650		A	B	C	D	E	F	cm	inch
	1	29	15	24	20	25	30	106	41	
		29	17	24	20	25	30	120	47	
		29	19	24	20	25	30	134	52	
		29	21	24	20	25	30	148	58	
		29	23	24	20	25	30	162	63	
		29	25	24	20	25	30	176	69	
		29	27	24	20	25	30	190	74	
	2	29	15	24	20	25	30	53	20	
		29	17	24	20	25	30	60	23	
		29	19	24	20	25	30	67	26	
		29	21	24	20	25	30	74	29	
		29	23	24	20	25	30	81	31	
		29	25	24	20	25	30	88	34	
		29	27	24	20	25	30	95	37	
	3	29	15	24	20	25	30	35	13	
		29	17	24	20	25	30	40	15	
		29	19	24	20	25	30	45	17	
		29	21	24	20	25	30	49	19	
		29	23	24	20	25	30	54	21	
		29	25	24	20	25	30	59	23	
		29	27	24	20	25	30	63	24	
4	29	15	24	20	25	30	26	10		
	29	17	24	20	25	30	30	11		
	29	19	24	20	25	30	33	13		
	29	21	24	20	25	30	37	14		
	29	23	24	20	25	30	40	15		
	29	25	24	20	25	30	44	17		
	29	27	24	20	25	30	48	18		
5	29	15	24	20	25	30	21	8		
	29	17	24	20	25	30	24	9		
	29	19	24	20	25	30	27	10		
	29	21	24	20	25	30	30	11		
	29	23	24	20	25	30	32	12		
	29	25	24	20	25	30	35	13		
	29	27	24	20	25	30	38	14		
6	29	15	24	20	25	30	18	6		
	29	17	24	20	25	30	20	7		
	29	19	24	20	25	30	22	8		
	29	21	24	20	25	30	25	9		
	29	23	24	20	25	30	27			
	29	25	24	20	25	30	29	11		
	29	27	24	20	25	30	32	12		



SFOGGIA 
AGRICULTURE DIVISION

STP Combi

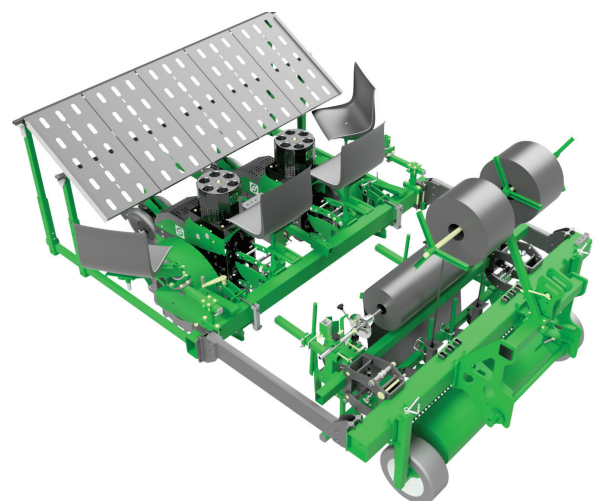


STP Combi

STP Combi is a combination of transplanter and mulch layer, which permits to lay down plastic, transplant, to put drip irrigation hose on the soil or into the soil. The frame and three point hitch have been reinforced compared to the STP model to ensure safety during transport without affecting the agility of the machine while working.

STP Combi is pulled while working in the fields and mounted during transport.

STP Combi can be configured with a wide choice of STP and V140 / V190 / V210 accessories.





BOWL TYPES

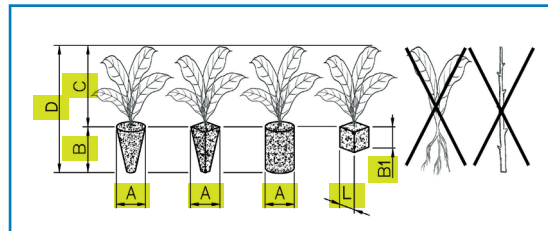
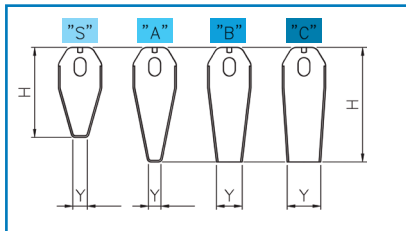


CHART SUGGESTING BOWL TYPES ACCORDING TO SEEDLING DIMENSIONS

BOWL TYPE	"S"	"A"	"B"	"C"
H (cm)	20	24	24	24
Y (cm)	2,0	1,7	6,0	8,5
Max transplant depth cm	7,0	10,0	7,0	7,0
Max cups number each unit	6	5	5	5

Min + Max (cm)				
A	1,5 + 4,0	1,5 + 4,0	3,0 + 5,0	4,0 + 7,0
B	4,0 + 6,0	4,0 + 7,0	4,0 + 7,0	4,0 + 7,0
C	4,0 + 15,0	4,0 + 15,0	4,0 + 15,0	4,0 + 15,0
D	8,0 + 20,0	8,0 + 20,0	8,0 + 20,0	8,0 + 20,0
L	2,0 + 3,0	2,0 + 3,0	3,5 + 4,5	5,0 + 6,0
B1	3,0 + 4,0	3,0 + 4,0	3,0 + 5,0	4,0 + 6,0



Mulch Layer V140 - V190 - V210

The **MULCH LAYER** stretches plastic or paper films.

It is offered in three models: V140 with working width adjustable up to 1,40 m, V190 with working width adjustable up to 1,90 m and V210 with max working width adjustable 2,10 m. It permits to lay mulch on one or more beds at a time.

Applications: mulching can be done in all types of flat soil or beds with a maximum height of 20 cm. Reels of plastic films, celluloid films and biodegradable cellophane films can be mounted. The machine also offers the possibility of mulching one or more beds at a time. It can be equipped with a front roller in painted steel or rubber front wheels, ploughshares and discs for opening and closing of the furrow. Easy to use and adjust, it has a wide range of accessories.

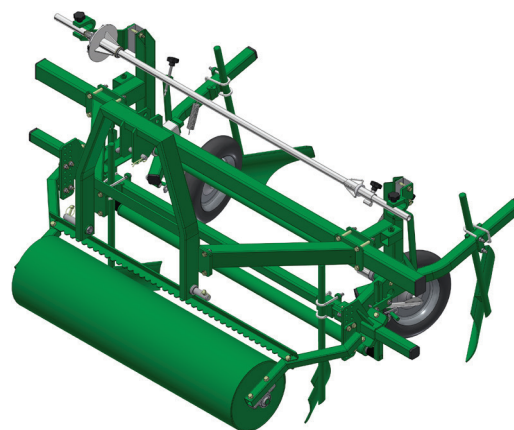
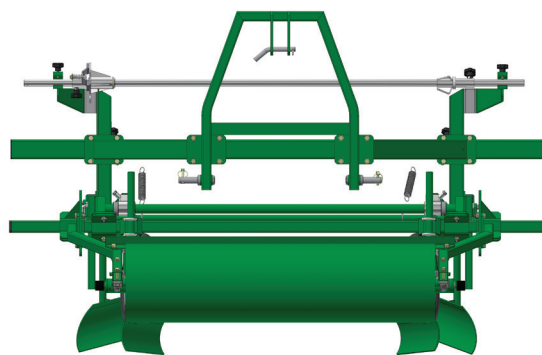


STANDARD

- Rear rubber compression wheels
- Plugshares for opening and closing furrow

OPTIONAL on request

- Front roller in painted steel.
- Furrow opening and closing discs.
- Single or double drip irrigation hose layer.
- Hose layer.
- Under soil drip irrigation hose layer with flex spring.
- Rear drilling wheels with adjustable distances.
- Film drilling roller for drainage.
- 130/160 L stainless steel fertilizer spreader with volumetric distributors and electric transmission and / or Isobus.
- Microgranulator in PVC hoppers, 18/32 L with volumetric distributors and electric transmission and/or Isobus.
- Additional kit for mulching on high beds.
- Mechanical and hydraulic row marker.
- Possibility to combine multiple mulches.



> Accessories on request



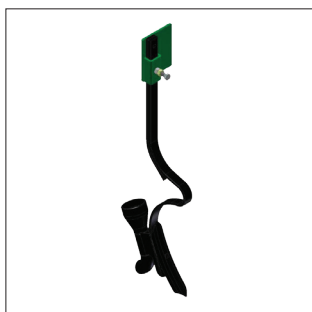
Drip irrigation hose layer



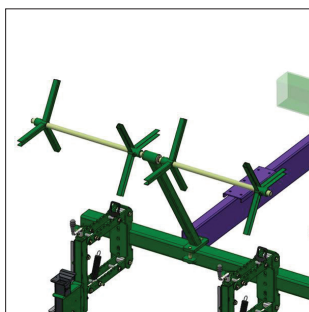
Pair of rear punch wheels that marks footprints on film



Microgranulator in Pvc, 18 lt with 1 exit/volumetric distributor or 32 lt with 2 exits/volumetric distributors. Electric transmission or Isobus.



Coulter for under soil drip irrigation hose layer



Double drip irrigation hose layer



Stainless steel fertilizer spreader, 130/160 lt. 1 to 4 rows with volumetric distributors, flex springs coulter or disc. Electric transmission or Isobus.







Via Feltrina Sud, 170
31044 Montebelluna
Treviso - Italy

T +39 0423 24041-42
info@sfoggia.com
www.sfoggia.com



STP
STP Combi
V140 - V190 - V 210

PLANTEC ONE



TRAPIANTATRICE SEMIAUTOMATICA A BICCHIERI DISTRIBUTORI PERFORATORI; per piantine con zolla conica, troncoconica, piramidale, tronco-piramidale fino a cm 7 e cubica fino a cm 6x6. È dotata di bicchieri perforatori per diversi tipi di zollette. La distanza tra piantine è regolabile da cm 15 a cm 162 anche in rapporto al numero di bicchieri. Lavora anche su film plastici. Capacità di trapianto circa 3000 piante/ora per ogni elemento.

HALFAUTOMATIC TRANSPLANTER WITH DISTRIBUTING PIERCING CUPS for young plants with conical and pyramidal speedlings up to 7 cm and square turfs up to 6x6 cm. Different sizes of piercing cups are available. The planting spacing goes from 15 cm to 162 cm in relation to the number of the cups. It works also on plastic film. Production/hour: 3000 plants per unit.

ПОЛУАВТОМАТИЧЕСКАЯ РАССАДОПОСАДОЧНАЯ МАШИНА С ПРОБИВАЮЩИМИ РАСПРЕДЕЛИТЕЛИМИ В ФОРМЕ ЧАШЕЧЕК предназначена для рассады в кассетах конусной, пирамидальной, пирамидальной-усечённой формы размером до 7 см и также для кубической квадратной формы размером до 6x6 см. Рассадо-посадочная машина оснащена пробивающими пленку распределителями для разных размеров торфяных кубиков у рассады. Дистанция между рассадой вдоль ряда регулируется от 15 до 162 см и эта дистанция зависит прежде всего от количества установленных на машине - чашечек. Эта рассадо-посадочная машина может работать как на открытом грунте, так и на покрытом плёнкой грунте. Производительность составляет около 3 000 рассады /в час на каждую высаживающую секцию машины.



Numero di file	Number of rows	Количество рядов	1	2	3	4	6
Larghezza telaio (m)	Toolbar width (m)	Ширина рамы (м)	1,50	2,00	2,50	3,00	4,00
Interfila elementi (cm)	Row distance (cm)	Междурядье (см)	/	27	30		
Distanza pianta-pianta (cm)	Row spacing (cm)	Расстояние между рассадками вдоль ряда "посадочный шаг" (см)	15 ÷ 162				
Potenza minima richiesta (Hp-kW)	Min HP requested (Hp-kW)	Мин. лошадиные силы для трактора (Hp кВт)	20 - 15	30 - 22	35 - 26	45 - 33	60 - 44